



SLGL LED GROW LIGHT

Project:	
Type:	
Note:	

DESCRIPTION

The Starco SLGL is a well designed LED grow light suitable for indoor hydroponic Cannabis growing with full spectrum. SLGL is a high performance solution for commercial horticulture cultivation designed for commercial vertical growing pushing the envelope with high PPF requirements.

SPECIFICATION FEATURES

Construction & Materials

- Extruded aluminum heat sinks maximize LED lifetime and optimal performance
- Durable white-painted center driver channel
- Light weight design allows for a less obtrusive installation
- Includes aircraft cables for suspended mount; optional bracket for pendent and surface mount
- Foldable allows for easy transport and save on logistics and storage costs

Electrical System

- High efficiency driver
- Input Voltage: 120-277V, 50/60Hz, 480V Available
- Operating Temperature: -20°C (-4°F) to 50°C (122°F)
- 0-10V Continuous dimming
- 3-channel Dimming option enabling future add-on boosters
- Power Factor: >0.90
- Total Harmonic Distortion: <20%
- Suitable for dry and damp locations

LED

- Photon Flux Maintenance: Calculated Q90 > 50,000 hrs
- Osram, Seoul and Samsung LEDs

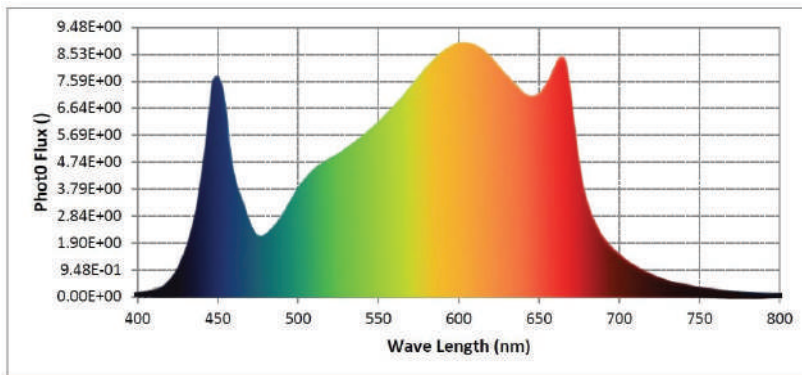
Certification

- Certified to UL 8800 Horticulture Lighting
- DLC Horticulture Pending

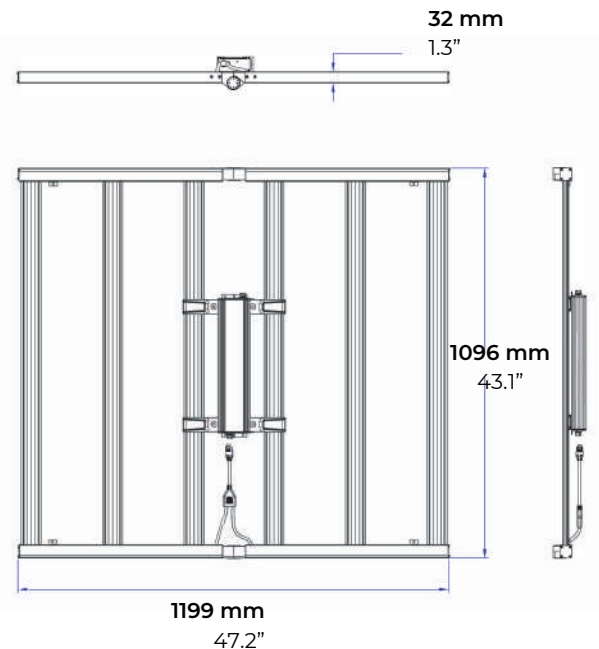
Warranty

5 Years (6-years for 320W & 630W)

Spectrum



DIMENSION



ORDER INFORMATION

SLGL LED GROW LIGHT

Example: SLGL-630-R-FS-DZZ

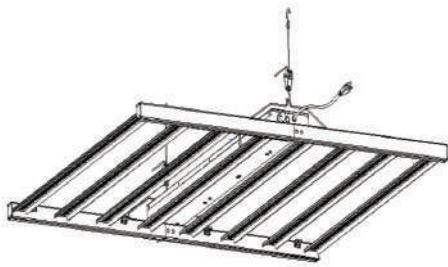
SLGL					
Series	Wattage	Input Voltage	Spectrum	Dimming	Options
SLGL=LED Grow Light	320=320W 630=630W 720=720W 840= 840W 1000=1000W	R=120-277V H=480V	FS=Full Spectrum DS= Dual Spectrum CS= Custom Spectrum	D=0-10V Dimming DM= 3-Channel Control (for use with Boosters)	
Accessories (Included)					
(1) Data Cord (2) Bolts (2) V-hooks (2) Adjustable Pulley Systems		(4) Aircraft Cables			

PERFORMANCE DATA

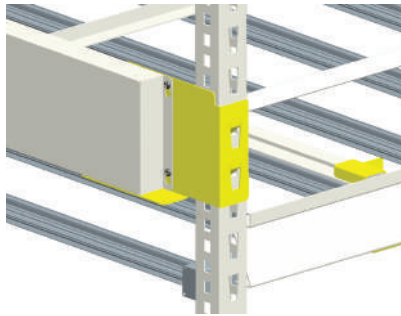
AC Input Power	320W, 630W, 720W, 840W, 1000W
Light Output PPF	320W: 870 $\mu\text{mol/s}$ 630W: 1700 $\mu\text{mol/s}$ 720W: 1950 $\mu\text{mol/s}$ 840W: 2,260 $\mu\text{mol/s}$ 1000W: 2,700 $\mu\text{mol/s}$
AC Input Voltage	120-277V, 50/60 Hz
Light Distribution	120°
PPE	2.7+ $\mu\text{mol/J}$
Power Factor	> 0.9
Control	0-10V Dimming
Operating Temperature	-20°C to 50°C
Certification	ETL, UL 8800, DLC
THD	<20%
Warranty	5 Year 6 Year (320W & 630W)
Photon Maintenance Q90	>50,000 hours

24"	392				895				388
18"		683			1029			650	
12"			978		1140		954		
6"				1112	1140	1105			
0"	458	736	985	1117	1146	1101	971	729	446
6"				1103	1131	1094			
12"			970		1100		942		
18"		670			1018			638	
24"	383				881				375
	24"	18"	12"	6"	0"	6"	12"	18"	24"

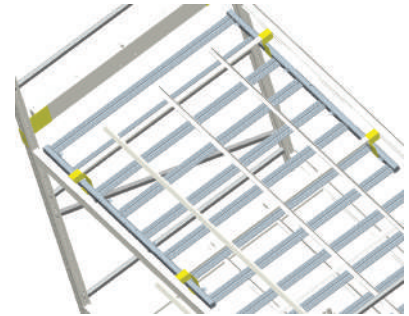
Suspended Mount



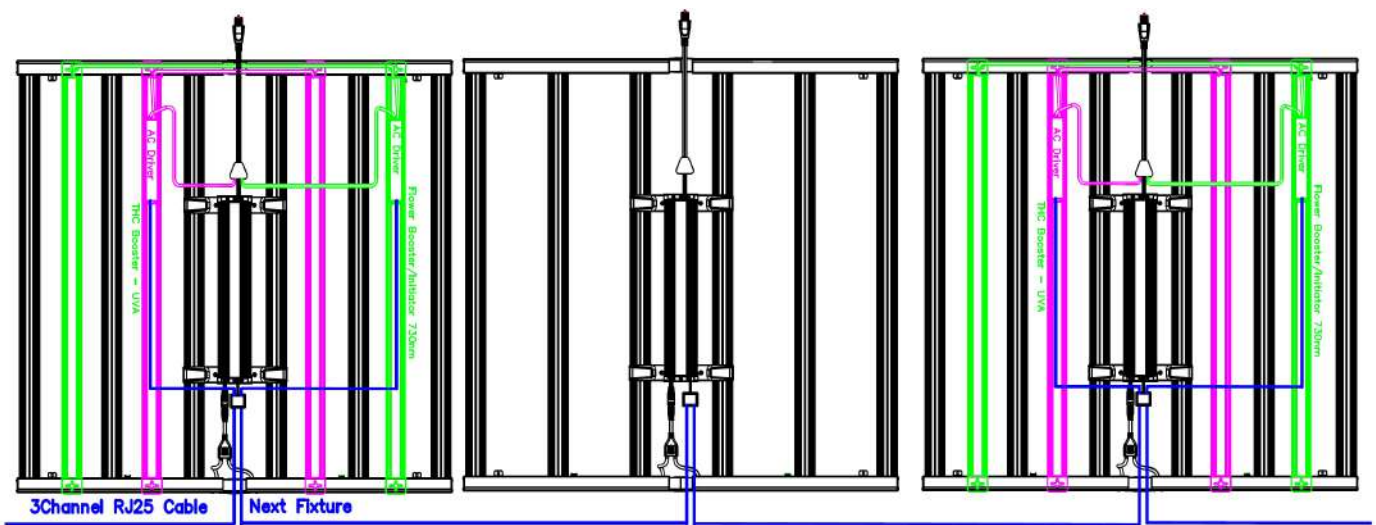
Remote Driver Mount



Racking Surface Mount



Daisy Chain Control and Modular add-ons



Controls & Dimming Features

- 0-10V Dimming & PWM Dimming
- 3-Channel Independent Dimming
- Initiate Flowering a week earlier
- Increase Cannabinoids & Terpenes last few weeks

