



SLHB LED HIGH BAY

| | |
|----------|--|
| Project: | |
| Type: | |
| Note: | |

DESCRIPTION

The Starco SLHB is a well designed LED luminaire suitable for a variety of applications and a balanced mixture of high performance and value. Applications include manufacturing, warehouses, distribution and convention centers, gymnasiums and other large indoor spaces. SLHB is ideal to replace traditional linear fluorescent and HID fixtures in industrial and commercial buildings with uncompromised quality and reliability. Multiple lumen outputs and electrical and control options make SLHB practical, as well as versatile. SLHB offers a range of lumen packages from 12,000 to 38,000 lumens and delivers up to 185 lumens per watt for maximum rebate eligibility and years of free maintenance.



SPECIFICATION FEATURES

Construction & Materials

- Extruded aluminum heatsinks maximize LED lifetime and optimal performance
- Durable white-painted center driver channel
- Heavy-gauge 5VA flammability classified plastic end caps
- Light weight design allows for a less obtrusive installation
- Includes V-shape hangers for suspended mount; optional bracket for pendent and surface mount

Electrical System

- High efficiency driver
- Input Voltage: 120-277V, 347V/480V, 50/60Hz
- Operating Temperature: -30°C (-22°F) to 55°C (131°F)
- 0-10V Continuous dimming to 10%
- Non Flickering (Flicker rate <3%)
- Power Factor: >0.95
- Total Harmonic Distortion: <15%
- Surge Protection: 8kV
- Fast-Fuse Technology

Optical System

- High impact polycarbonate optics provides even distribution
- Optional frosted lens provides maximum glare reduction

Occupancy Sensor

- Selectable mode high/low/off passive infrared (PIR)
- Photocell
- Optional bluetooth remote control

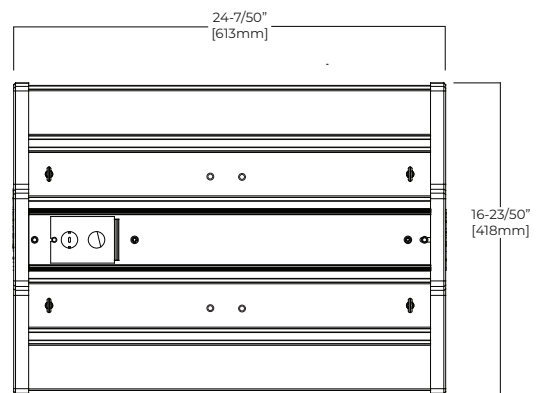
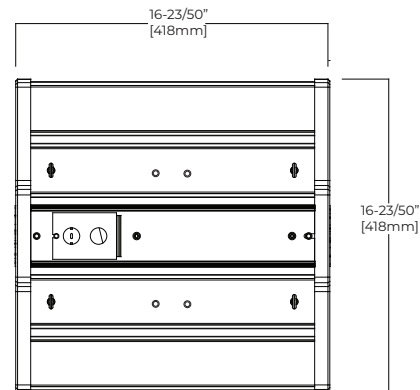
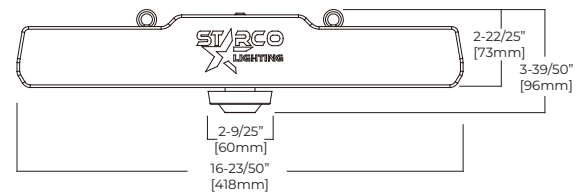
LED

- CRI: 70+, 80+, 90+
- CCT: 3000K, 4000K, 5000K
- Calculated L₇₀: 189,900 hours @ 25°C
- Reported L₉₀ Lifetime: 58,000 hours @ 25°C

Warranty

- 10 Years

DIMENSION



ORDER INFORMATION

SLHB LED HIGH BAY

Example: SLHB-120-R2-D-50-D-M-H

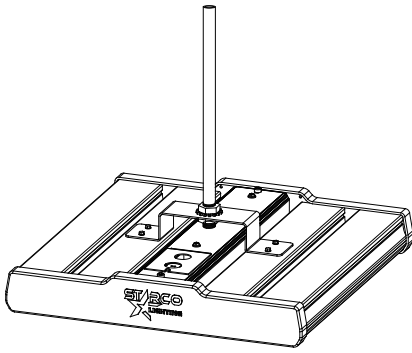
| SLHB | | | | | | | |
|---|--|--|---|--|---|---|---|
| Series | Wattage | Size | Optics | CCT | Dimming | Sensor | Mount |
| SLHB=LED High Bay | 75 =75W 100 =100W 120 =120W 135 =135W 150 =150W 165 =165W 200 =200W 220 =220W | R1 =420x420 R2 =420x620 unit: mm | F =Frosted D =Diffused | 30 =3000K 40 =4000K 50 =5000K | D =0-10V Dimming N =None dimming | M =Integrated occupancy and daylight sensor S =Integrated occupancy and daylight sensor with Bluetooth remote control O =None sensor | H =Suspended mount C =Surface mount P =Pendent mount |
| Accessories | | | | | | | |
| SLHB5VKCS =3ft hanging chain AC10 =10ft aircraft cable/hook AC15 =15ft aircraft cable/hook WP10 =10ft whip 16AWG | | PC-1-LC-3-6 =120V PLUG-N-GO and 6' whip and 3 conductors PC-2-LC-5-3 =277V PLUG-N-GO and 3' whip and 5 conductors L7-15PLUG =277V twist lock L7-15P plug FSIR-100 =Sensor remote controller | | | | | |

PERFORMANCE DATA

| Wattage | Size | 70 CRI @4000K / 5000K | | Lens |
|---------|------|-----------------------|----------|----------|
| | | Lumens | Efficacy | |
| 75 | R1 | 13875 | 185 | Diffused |
| 75 | R1 | 13200 | 176 | Frosted |
| 100 | R1 | 18500 | 185 | Diffused |
| 100 | R1 | 17600 | 176 | Frosted |
| 120 | R1 | 21600 | 180 | Diffused |
| 120 | R1 | 20520 | 171 | Frosted |
| 135 | R1 | 23625 | 175 | Diffused |
| 135 | R1 | 22444 | 166 | Frosted |
| 150 | R1 | 26250 | 175 | Diffused |
| 150 | R1 | 24900 | 166 | Frosted |
| 150 | R2 | 26250 | 175 | Diffused |
| 150 | R2 | 24900 | 166 | Frosted |
| 165 | R2 | 28875 | 175 | Diffused |
| 165 | R2 | 27390 | 166 | Frosted |
| 200 | R2 | 35000 | 175 | Diffused |
| 200 | R2 | 33200 | 166 | Frosted |
| 220 | R2 | 38500 | 175 | Diffused |
| 220 | R2 | 36520 | 166 | Frosted |

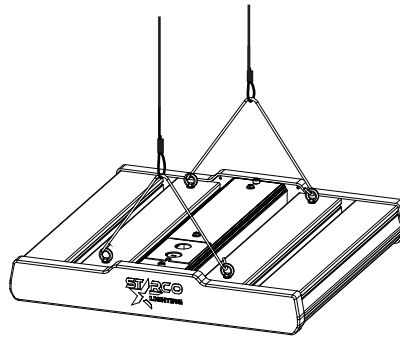
| CRI | CCT | OUTPUT |
|-----|-------|--------|
| 70 | 5000K | 100% |
| | 4000K | 100% |
| 80 | 5000K | 94% |
| | 4000K | 93% |
| | 3000K | 85% |
| 90 | 5000K | 86% |
| | 4000K | 85% |
| | 3000K | 78% |

Pendent Mount

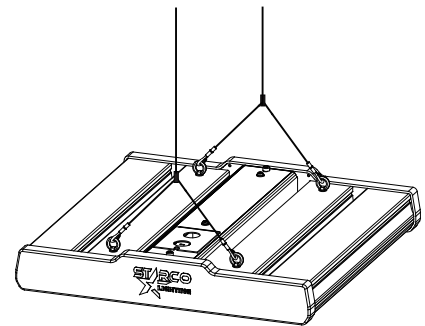


Suspended Mount

Hanging chain+V-clip



Aircraft Cable with hook



Sensor

THE SLHB LED High Bay integrated with the Legrand Wattstopper® photo/motion sensor provides more energy savings without sacrificing performance. Unlike traditional lighting control systems, the SLHB delivers superior lighting with integrated occupancy and daylight controls.

There are three basic sensor options - FSP-211, FSP-212 and FSP-311. The sensors operate from -40°C (-40°F) to 70°C (158°F) and have an IP66 rating and 5 year warranty. Please refer to Legrand Wattstopper® spec sheet for more information.

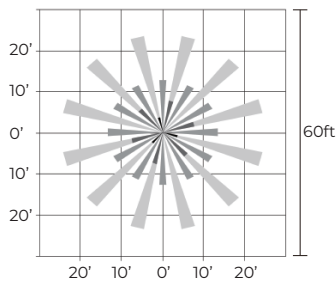


FSP-211

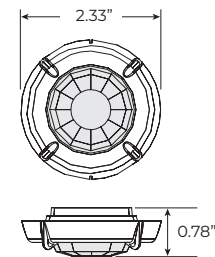
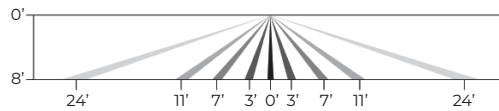
FSP-212

FSP-311

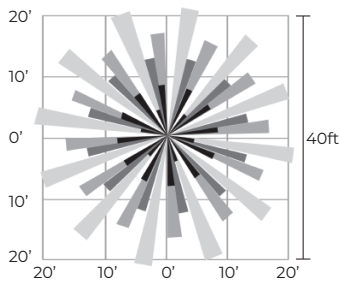
Top View



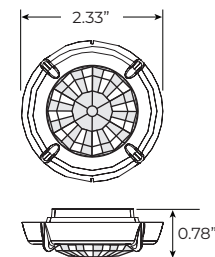
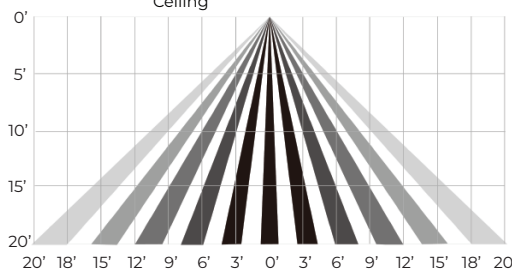
Side View



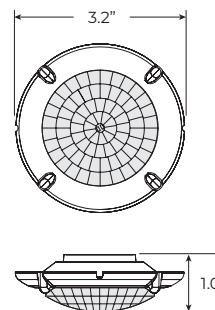
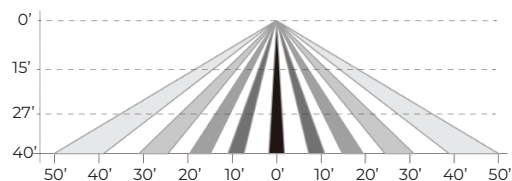
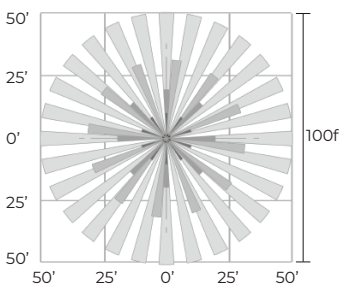
FSP-L2 Lens



Ceiling



FSP-L3 Lens



FSP-L7 Lens